

TROJA 44

SOAPSTONE

TROJA SERIES

High visibility of the flame and high heat release
High efficiency
Strong convection
Timeless design

DuplicAir® for simpel and easy air control
Cast iron door
Self-closing door with magnets
Fresh air inlet included
Convection grill on top
Cast iron bottom
Molded vermiculite
Self-cleaning window
Cold handle
5 year warranty
Start-up function

Can be purchased

Accumulation stone (121 kg)
Customized floorplate out of 6 mm glass



Find all models here:
JYDEPEJSEN.COM



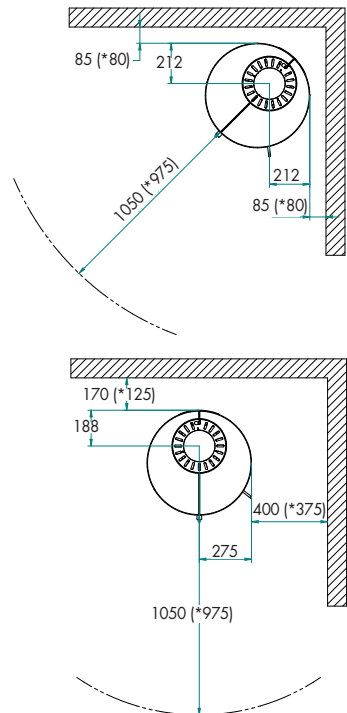
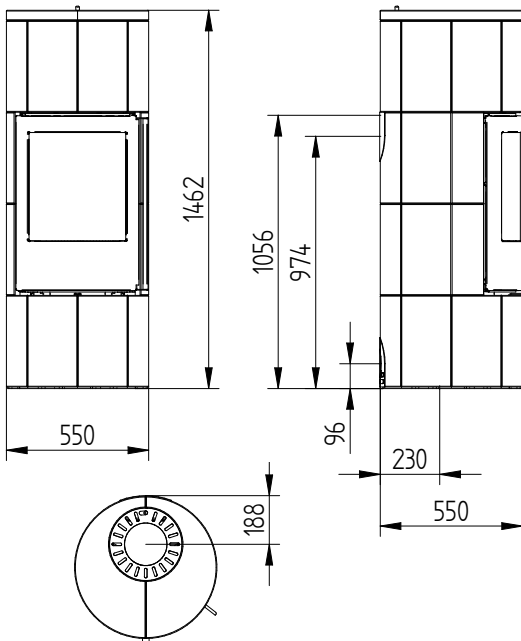
TECHNICAL DATA TROJA 44 SOAPSTONE:

Heats approx.	>140 m ²
Effect	3-8 kW
Efficiency.....	79%
Dust emission mg/Nm ³	15 mg.
Smoke extraction	ø150 mm
Chimney connection	Top/back
Weight	339 kg
Colour	Black/grey
Combustion chamber dimensions (H x W x D).....	412 x 368 x 407

CE approved
Defra approved
DIBt approved

A

* The numbers in parentheses show the distance to combustibles, when fitted with insulated flue.



TROJA 44

DARK SANDSTONE

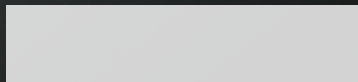
TROJA SERIES

High visibility of the flame and high heat release
High efficiency
Strong convection
Timeless design

DuplicAir® for simpel and easy air control
Cast iron door
Self-closing door with magnets
Fresh air inlet included
Convection grill on top
Cast iron bottom
Molded vermiculite
Self-cleaning window
Cold handle
5 year warranty
Start-up function

Can be purchased

Accumulation stone (121 kg)
Customized floorplate out of 6 mm glass



Find all models here:
JYDEPEJSEN.COM



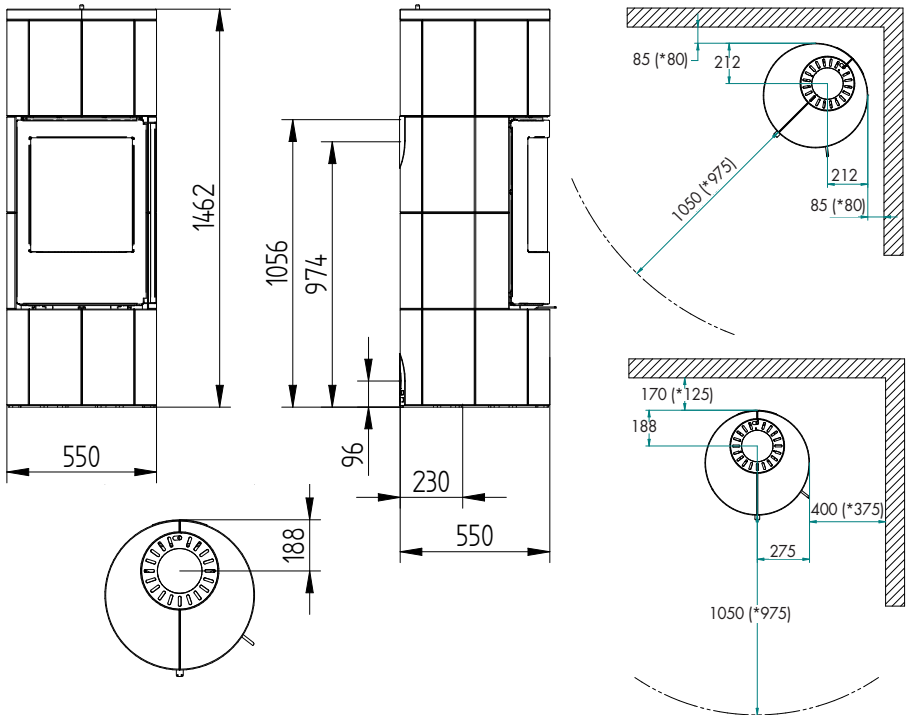
TECHNICAL DATA TROJA 44 SANDSTONE:

Heats approx.>140 m²
 Effect.....3-8 kW
 Efficiency.....79%
 Dust emission mg/Nm³.....15 mg.
 Smoke extraction ø150 mm
 Chimney connection Top/back
 Weight 373 kg
 Colour Black/grey
 Combustion chamber dimensions
 (H x W x D).....412 x 368 x 407

CE approved
 Defra approved
 DIBt approved



* The numbers in parentheses show the distance to combustibles, when fitted with insulated flue.



TROJA 45

SOAPSTONE

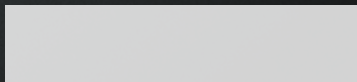
TROJA SERIES

High visibility of the flame and high heat release
High efficiency
Strong convection
Timeless design

DuplicAir® for simpel and easy air control
Cast iron door
Self-closing door with magnets
Fresh air inlet included
Convection grill on top
Cast iron bottom
Molded vermiculite
Self-cleaning window
Cold handle
5 year warranty
Start-up function

Can be purchased

Accumulation stone (242 kg)
Customized floorplate out of 6 mm glass



Find all models here:
[JYDEPEJSEN.COM](https://www.jydepejsen.com)



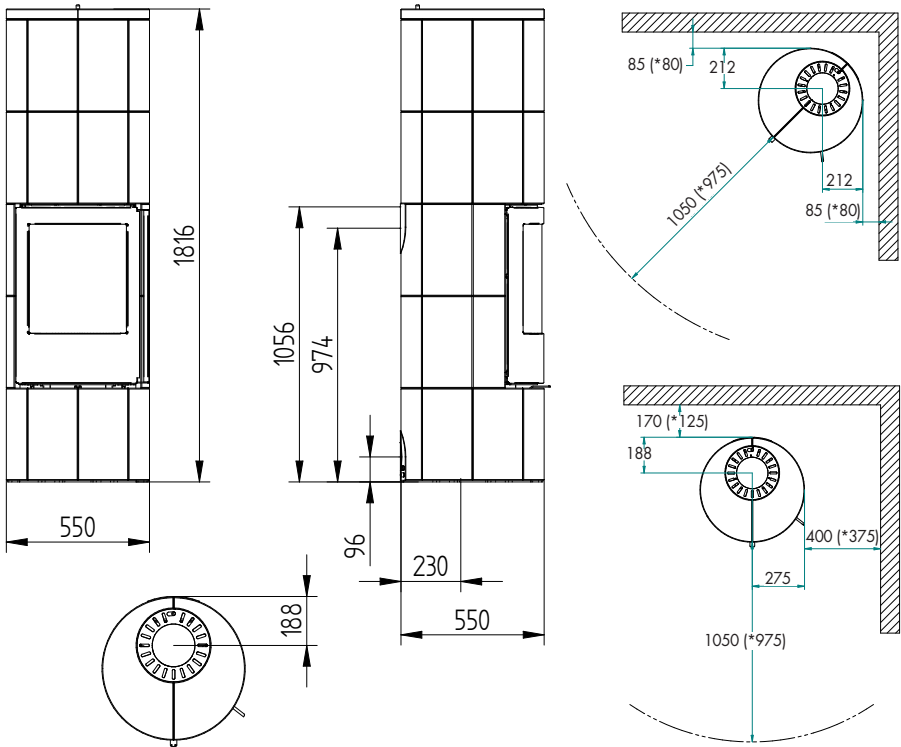
TECHNICAL DATA TROJA 45 SOAPSTONE:

Heats approx. >140 m²
 Effect..... 3-8 kW
 Efficiency..... 79%
 Dust emission mg/Nm³..... 15 mg.
 Smoke extraction ø150 mm
 Chimney connection Top/back
 Weight 410 kg
 Colour Black/grey
 Combustion chamber dimensions
 (H x W x D)..... 412 x 368 x 407

CE approved
 Defra approved
 DIBt approved



* The numbers in parentheses show the distance to combustibles, when fitted with insulated flue.



TROJA 45

DARK SANDSTONE

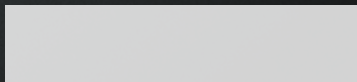
TROJA SERIES

High visibility of the flame and high heat release
High efficiency
Strong convection
Timeless design

DuplicAir® for simpel and easy air control
Cast iron door
Self-closing door with magnets
Fresh air inlet included
Convection grill on top
Cast iron bottom
Molded vermiculite
Self-cleaning window
Cold handle
5 year warranty
Start-up function

Can be purchased

Accumulation stone (242 kg)
Customized floorplate out of 6 mm glass



Find all models here:
JYDEPEJSEN.COM



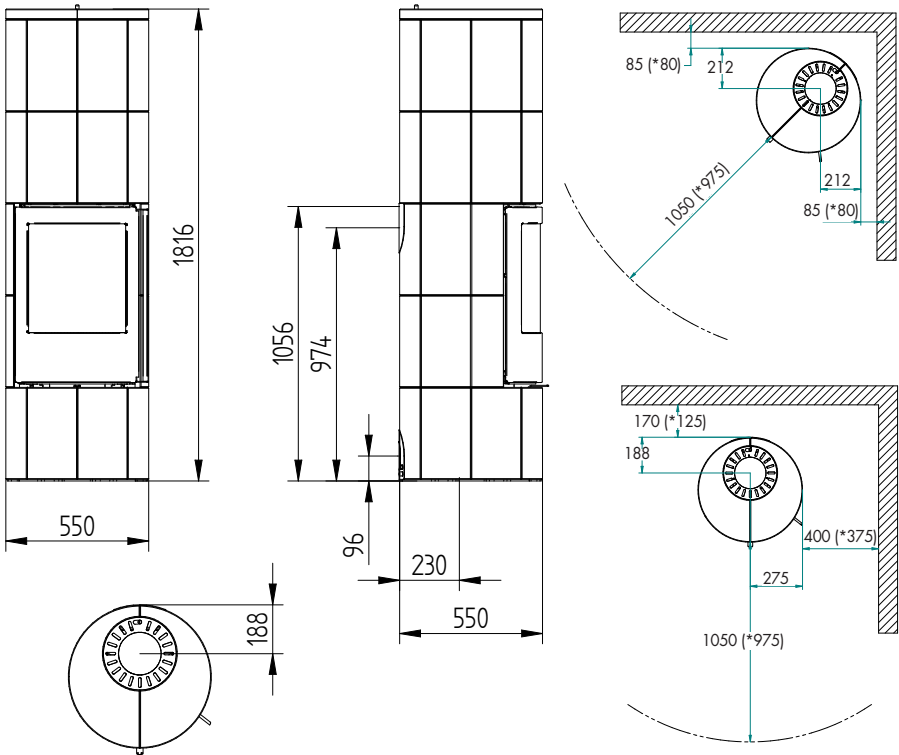
TECHNICAL DATA TROJA 45 SANDSTONE:

Heats approx.	>140 m ²
Effect.....	3-8 kW
Efficiency.....	79%
Dust emission mg/Nm ³	15 mg.
Smoke extraction	ø150 mm
Chimney connection	Top/back
Weight	453 kg
Colour	Black/grey
Combustion chamber dimensions (H x W x D).....	412 x 368 x 407

CE approved
Defra approved
DIBt approved



* The numbers in parentheses show the distance to combustibles, when fitted with insulated flue.



TROJA 46

SOAPSTONE

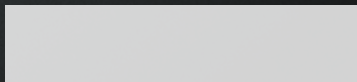
TROJA SERIES

High visibility of the flame and high heat release
High efficiency
Strong convection
Timeless design

DuplicAir® for simpel and easy air control
Cast iron door
Self-closing door with magnets
Fresh air inlet included
Convection grill on top
Cast iron bottom
Molded vermiculite
Self-cleaning window
Cold handle
5 year warranty
Start-up function

Can be purchased

Accumulation stone (363 kg)
Customized floorplate out of 6 mm glass



Find all models here:
JYDEPEJSEN.COM



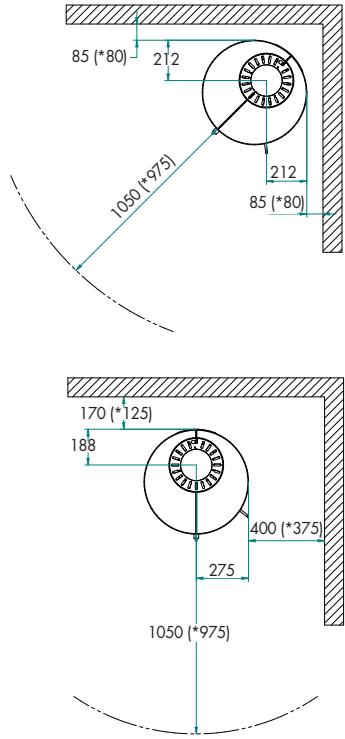
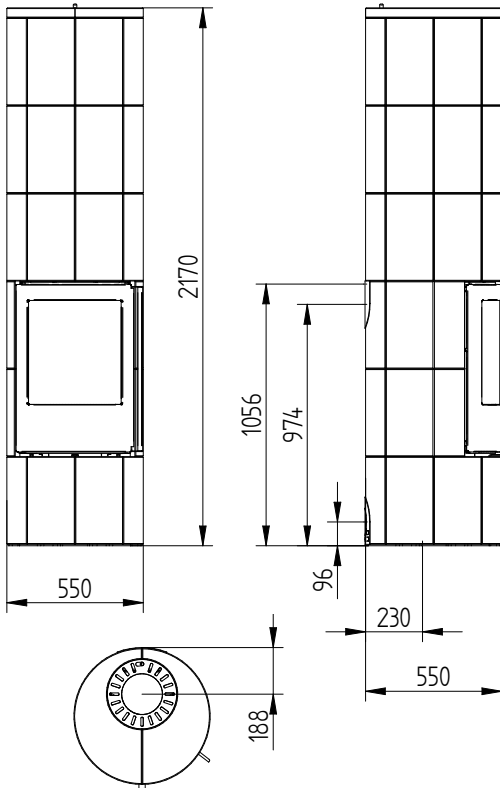
TECHNICAL DATA TROJA 46 SOAPSTONE:

Heats approx. >140 m²
 Effect 3-8 kW
 Efficiency 79%
 Dust emission mg/Nm³ 15 mg.
 Smoke extraction ø150 mm
 Chimney connection Top/back
 Weight 481 kg
 Colour Black/grey
 Combustion chamber dimensions
 (H x W x D) 412 x 368 x 407

CE approved
 Defra approved
 DIBt approved



* The numbers in parentheses show the distance to combustibles, when fitted with insulated flue.



TROJA 46

DARK SANDSTONE

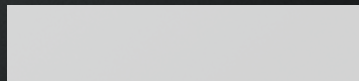
TROJA SERIES

High visibility of the flame and high heat release
High efficiency
Strong convection
Timeless design

DuplicAir® for simpel and easy air control
Cast iron door
Self-closing door with magnets
Fresh air inlet included
Convection grill on top
Cast iron bottom
Molded vermiculite
Self-cleaning window
Cold handle
5 year warranty
Start-up function

Can be purchased

Accumulation stone (363 kg)
Customized floorplate out of 6 mm glass



Find all models here:
JYDEPEJSEN.COM



TECHNICAL DATA TROJA 46 SANDSTONE:

Heats approx.	>140 m ²
Effect.....	3-8 kW
Efficiency.....	79%
Dust emission mg/Nm ³	15 mg.
Smoke extraction	ø150 mm
Chimney connection	Top/back
Weight	533 kg
Colour	Black/grey
Combustion chamber dimensions (H x W x D).....	412 x 368 x 407

CE approved
Defra approved
DIBt approved

A

* The numbers in parentheses show the distance to combustibles, when fitted with insulated flue.

