

# SIGMA

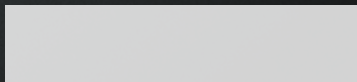
## SIGMA SERIES

---

Build in the heat  
High efficiency  
Strong convection  
Timeless design

DuplicAir® for simple and easy  
air control  
Full glass front  
Widescreen design  
Self-closing door  
Cast iron bottom  
Option for individual adjustment  
Space for large pieces of firewood  
Fresh air inlet included  
Molded vermiculite  
Self-cleaning window  
5 year warranty

**Can be purchased**  
Special frame with/without bending



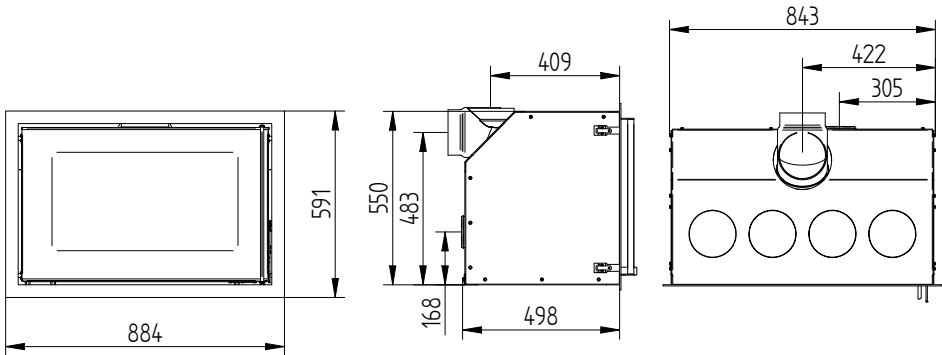
---

Find all models here:  
**JYDEPEJSEN.COM**

**TECHNICAL DATA SIGMA:**

Heats approx. ....>120 m<sup>2</sup>  
Effect ..... 3-8 kW  
Efficiency.....80%  
Dust emission mg/Nm<sup>3</sup>..... 6 mg.  
Smoke extraction ..... ø150 mm  
Chimney connection ..... Top/back  
Weight ..... 144 kg  
Colour ..... Black/grey  
Minimum installation dimensions .... B 858 x H 565  
Combustion chamber dimensions  
(H x W x D)..... 360 x 580 x 290

CE approved  
Defra approved



# SIGMA TITAN 1

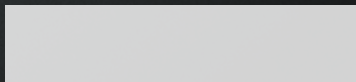
## SIGMA SERIES

---

Build in the heat  
High efficiency  
Strong convection  
Timeless design

DuplicAir® for simpel and easy  
air control  
Full glass front  
Widescreen design  
Unique soapstone furniture  
Self-closing door  
Cast iron bottom  
Option for individual adjustment  
Space for large pieces of firewood  
Fresh air inlet included  
Molded vermiculite  
Self-cleaning window  
5 year warranty

**Can be purchased:**  
Bench - 2 possible variants



---

Find all models here:  
**JYDEPEJSEN.COM**

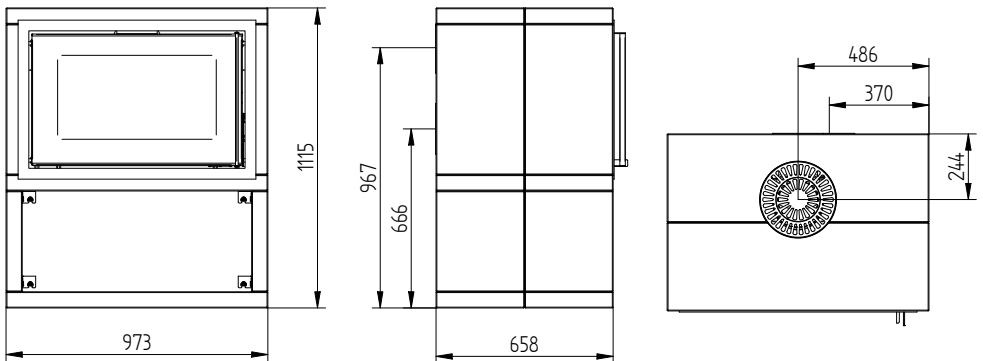


### TECHNICAL DATA SIGMA TITAN 1:

Heats approx. .... >160 m<sup>2</sup>  
Effect ..... 4-8 kW  
Efficiency ..... 79%  
Dust emission mg/Nm<sup>3</sup> ..... 10 mg.  
Smoke extraction ..... ø150 mm  
Chimney connection ..... Top/back  
Weight ..... 820 kg  
Colour ..... Black/grey  
Combustion chamber dimensions  
(H x W x D) ..... 360 x 580 x 290

CE approved  
Defra approved

A



# SIGMA TITAN 2

## SIGMA SERIES

---

Build in the heat  
High efficiency  
Strong convection  
Timeless design

DuplicAir® for simpel and easy  
air control  
Full glass front  
Widescreen design  
Unique soapstone furniture  
Self-closing door  
Cast iron bottom  
Option for individual adjustment  
Space for large pieces of firewood  
Fresh air inlet included  
Molded vermiculite  
Self-cleaning window  
5 year warranty

**Can be purchased:**  
Bench - 2 possible variants



---

Find all models here:  
**JYDEPEJSEN.COM**

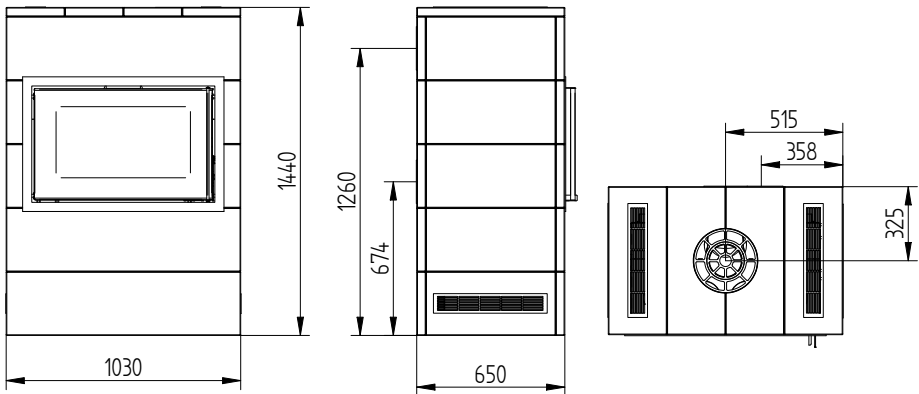


## TECHNICAL DATA SIGMA TITAN 2:

Heats approx. .... >160 m<sup>2</sup>  
Effect ..... 4-8 kW  
Efficiency ..... 79%  
Dust emission mg/Nm<sup>3</sup> ..... 10 mg.  
Smoke extraction ..... ø150 mm  
Chimney connection ..... Top/back  
Weight ..... 784 kg  
Colour ..... Black/grey  
Combustion chamber dimensions  
(H x W x D) ..... 360 x 580 x 290

CE approved  
Defra approved

A



# SIGMA TITAN 3

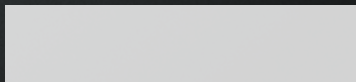
## SIGMA SERIES

---

Build in the heat  
High efficiency  
Strong convection  
Timeless design

DuplicAir® for simpel and easy  
air control  
Full glass front  
Widescreen design  
Unique soapstone furniture  
Self-closing door  
Cast iron bottom  
Option for individual adjustment  
Space for large pieces of firewood  
Fresh air inlet included  
Molded vermiculite  
Self-cleaning window  
5 year warranty

**Can be purchased:**  
Bench - 2 possible variants



---

Find all models here:  
**JYDEPEJSEN.COM**



### TECHNICAL DATA SIGMA TITAN 3:

Heats approx. .... >160 m<sup>2</sup>  
Effect ..... 4-8 kW  
Efficiency ..... 79%  
Dust emission mg/Nm<sup>3</sup> ..... 10 mg.  
Smoke extraction ..... ø150 mm  
Chimney connection ..... Top/back  
Weight ..... 892 kg  
Colour ..... Black/grey  
Combustion chamber dimensions  
(H x W x D) ..... 360 x 580 x 290

CE approved  
Defra approved

A

