

# COSMO 971

## COSMO SERIES

---

Cleanest combustion  
High efficiency  
Strong convection  
Timeless design

DuplicAir® for simpel and easy  
air control  
Cast iron door  
Self-closing door  
Cast iron wood compartment door  
Cast iron bottom  
Cast iron top  
Molded vermiculite  
Self-cleaning window  
Cold handle  
5 year warranty

**Can be purchased:**  
Customized floorplate out of 6 mm glass  
Fresh air inlet ø 100 mm.



---

Find all models here:  
**JYDEPEJSEN.COM**

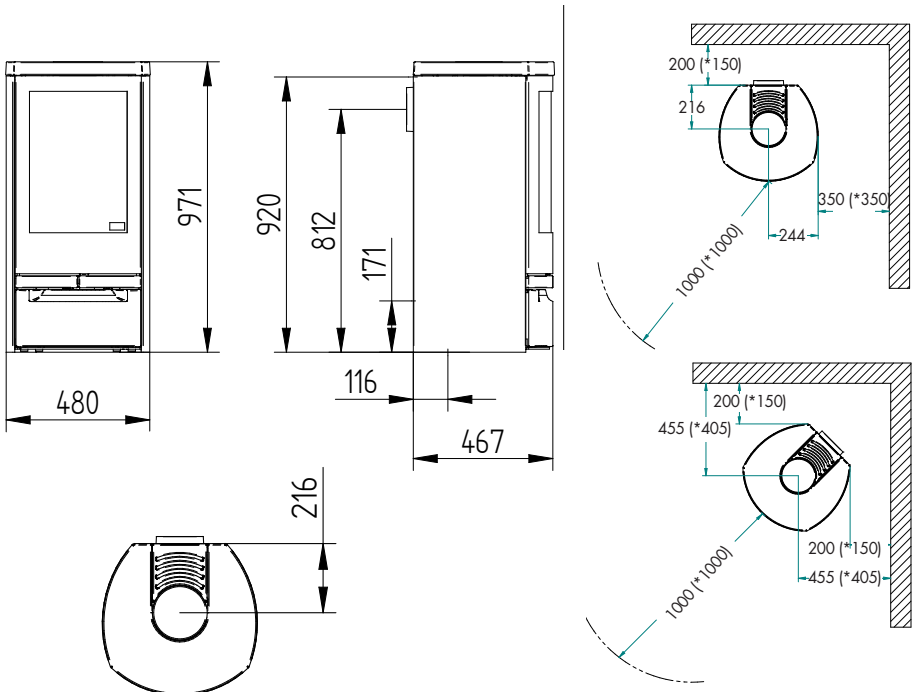
**TECHNICAL DATA COSMO 971:**

Heats approx. ....>120 m<sup>2</sup>  
 Effect ..... 3-8 kW  
 Efficiency.....80%  
 Dust emission mg/Nm<sup>3</sup>..... 6 mg.  
 Smoke extraction ..... ø150 mm  
 Chimney connection ..... Top/back  
 Weight ..... 144 kg  
 Colour ..... Black/grey  
 Combustion chamber dimensions  
 (H x W x D)..... 415 x 365 x 325

CE approved  
 Defra approved



\*\* The numbers in parentheses show the distance to combustibles, when fitted with insulated flue.



# COSMO 971

## SOAPSTONE

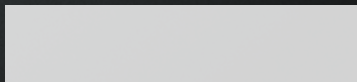
### COSMO SERIES

---

Cleanest combustion  
High efficiency  
Strong convection  
Timeless design

DuplicAir® for simple and easy  
air control  
Cast iron door  
Self-closing door  
Cast iron wood compartment door  
Cast iron bottom  
Molded vermiculite  
Self-cleaning window  
Cold handle  
5 year warranty

**Can be purchased:**  
Customized floorplate out of 6 mm glass  
Fresh air inlet ø 100 mm.



Find all models here:  
**JYDEPEJSEN.COM**



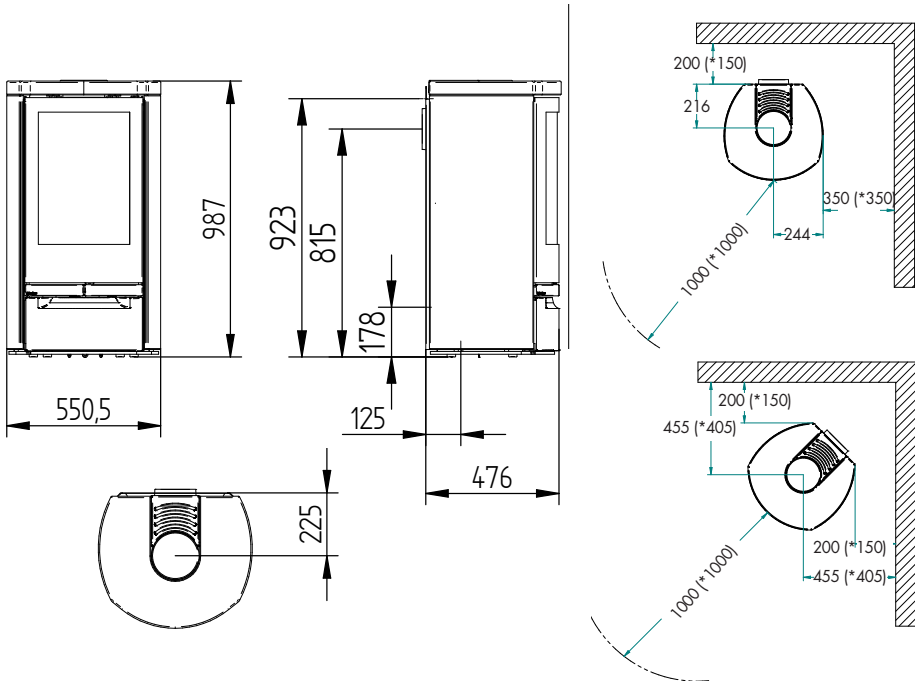
**TECHNICAL DATA COSMO 971 SOAPSTONE:**

Heats approx. ....>120 m<sup>2</sup>  
 Effect.....3-8 kW  
 Efficiency.....80%  
 Dust emission mg/Nm<sup>3</sup>..... 6 mg.  
 Smoke extraction ..... ø150 mm  
 Chimney connection ..... Top/back  
 Weight ..... 247 kg  
 Colour ..... Black/grey  
 Combustion chamber dimensions  
 (H x W x D)..... 415 x 365 x 325

CE approved  
 Defra approved



\*\* The numbers in parentheses show the distance to combustibles, when fitted with insulated flue.



# COSMO 971

## SPECIAL SOAPSTONE

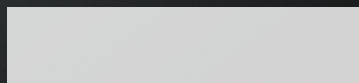
### COSMO SERIES

---

Cleanest combustion  
High efficiency  
Strong convection  
Timeless design

DuplicAir® for simpel and easy  
air control  
Cast iron door  
Self-closing door  
Cast iron wood compartment door  
Cast iron bottom  
Molded vermiculite  
Self-cleaning window  
Cold handle  
5 year warranty

**Can be purchased:**  
Customized floorplate out of 6 mm glass  
Fresh air inlet ø 100 mm.



---

Find all models here:  
**JYDEPEJSEN.COM**



## TECHNICAL DATA COSMO 971

### SPECIAL SOAPSTONE:

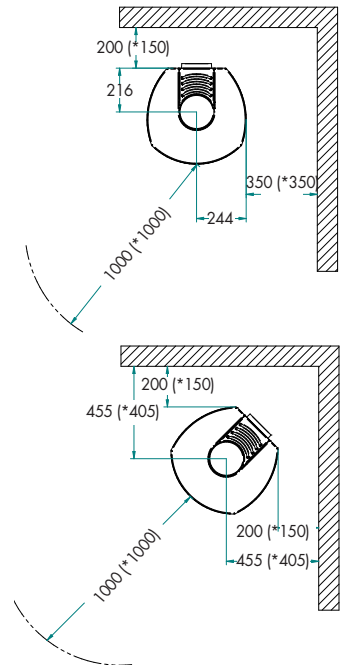
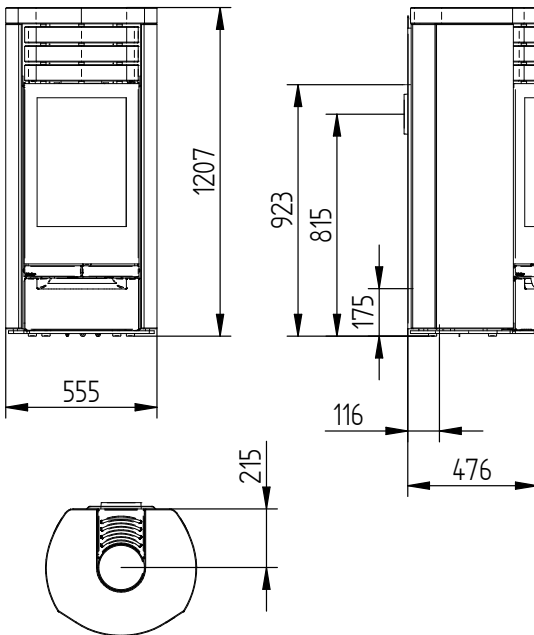
Heats approx. ....	>120 m <sup>2</sup>
Effect .....	3-8 kW
Efficiency.....	80%
Dust emission mg/Nm <sup>3</sup> .....	6 mg.
Smoke extraction .....	∅150 mm
Chimney connection .....	Top/back
Weight .....	321 kg
Colour .....	Black/grey
Combustion chamber dimensions (H x W x D).....	415 x 365 x 325

CE approved

Defra approved

A<sup>+</sup>

\*\* The numbers in parentheses show the distance to combustibles, when fitted with insulated flue.



# COSMO 1147

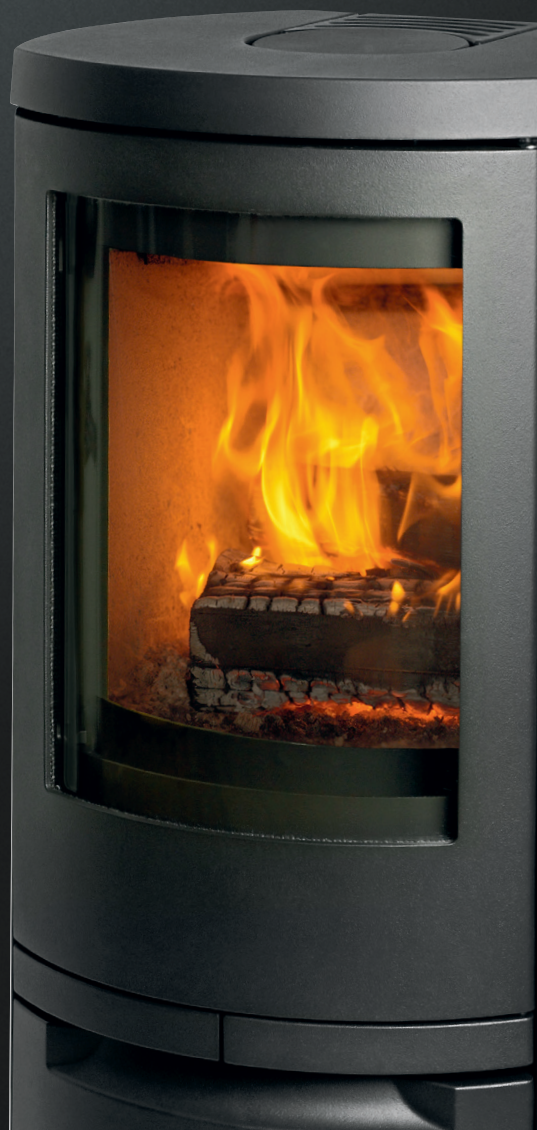
## COSMO SERIES

---

Cleanest combustion  
High efficiency  
Strong convection  
Timeless design

DuplicAir® for simple and easy  
air control  
Cast iron door  
Self-closing door  
Cast iron wood compartment door  
Cast iron bottom  
Cast iron top  
Molded vermiculite  
Self-cleaning window  
Cold handle  
5 year warranty

**Can be purchased:**  
Customized floorplate out of 6 mm glass  
Fresh air inlet  $\varnothing$  100 mm.



---

Find all models here:  
**JYDEPEJSEN.COM**

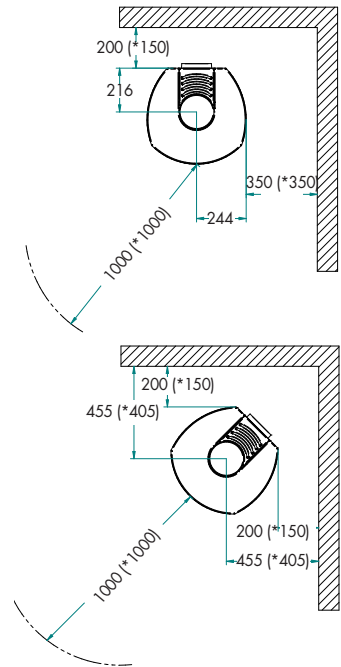
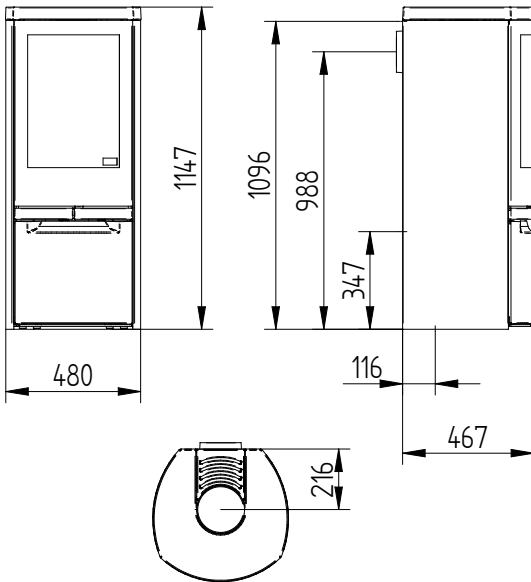
**TECHNICAL DATA COSMO 1147:**

Heats approx. ....>120 m<sup>2</sup>  
 Effect ..... 3-8 kW  
 Efficiency.....80%  
 Dust emission mg/Nm<sup>3</sup>..... 6 mg.  
 Smoke extraction ..... ø150 mm  
 Chimney connection ..... Top/back  
 Weight .....156 kg  
 Colour ..... Black/grey  
 Combustion chamber dimensions  
 (H x W x D)..... 415 x 365 x 325

CE approved  
 Defra approved



\*\* The numbers in parentheses show the distance to combustibles, when fitted with insulated flue.





# COSMO 1147

## SOAPSTONE

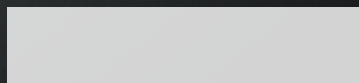
### COSMO SERIES

---

Cleanest combustion  
High efficiency  
Strong convection  
Timeless design

DuplicAir® for simple and easy  
air control  
Cast iron door  
Self-closing door  
Cast iron wood compartment door  
Cast iron bottom  
Molded vermiculite  
Self-cleaning window  
Cold handle  
5 year warranty

**Can be purchased:**  
Customized floorplate out of 6 mm glass  
Fresh air inlet ø 100 mm.



---

Find all models here:  
**JYDEPEJSEN.COM**



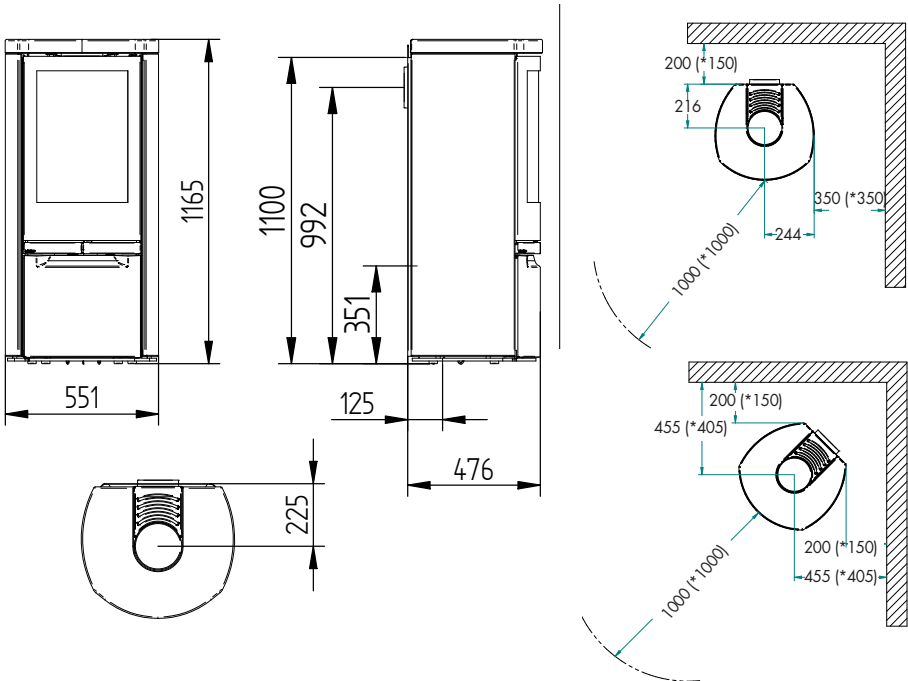
**TECHNICAL DATA COSMO 1147 SOAPSTONE:**

Heats approx. ....>120 m<sup>2</sup>  
 Effect ..... 3-8 kW  
 Efficiency.....80%  
 Dust emission mg/Nm<sup>3</sup>..... 6 mg.  
 Smoke extraction ..... ø150 mm  
 Chimney connection ..... Top/back  
 Weight ..... 276kg  
 Colour ..... Black/grey  
 Combustion chamber dimensions  
 (H x W x D)..... 415 x 365 x 325

CE approved  
 Defra approved



\*\* The numbers in parentheses show the distance to combustibles, when fitted with insulated flue.



# COSMO 1147

## SPECIAL SOAPSTONE

### COSMO SERIES

---

Cleanest combustion  
High efficiency  
Strong convection  
Timeless design

DuplicAir® for simpel and easy  
air control  
Cast iron door  
Self-closing door  
Cast iron wood compartment door  
Cast iron bottom  
Molded vermiculite  
Self-cleaning window  
Cold handle  
5 year warranty

**Can be purchased:**  
Customized floorplate out of 6 mm glass  
Fresh air inlet ø 100 mm.



---

Find all models here:  
**JYDEPEJSEN.COM**



## TECHNICAL DATA COSMO 1147

### SPECIAL SOAPSTONE:

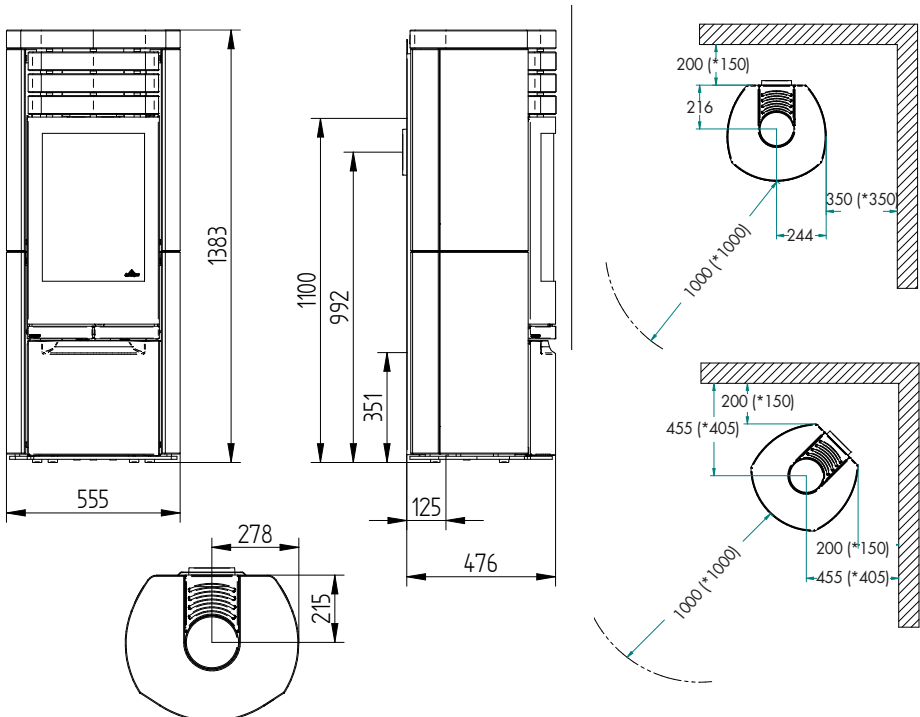
Heats approx. ....	>120 m <sup>2</sup>
Effect .....	3-8 kW
Efficiency.....	80%
Dust emission mg/Nm <sup>3</sup> .....	6 mg.
Smoke extraction .....	∅150 mm
Chimney connection .....	Top/back
Weight .....	342 kg
Colour .....	Black/grey
Combustion chamber dimensions (H x W x D).....	415 x 365 x 325

CE approved

Defra approved

A<sup>+</sup>

\*\* The numbers in parentheses show the distance to combustibles, when fitted with insulated flue.



# COSMO 1500

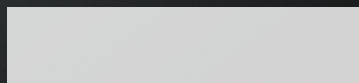
## COSMO SERIES

---

Cleanest combustion  
High efficiency  
Strong convection  
Timeless design

DuplicAir® for simpel and easy  
air control  
Cast iron door  
Self-closing door  
Cast iron wood compartment door  
Cast iron bottom  
Cast iron top  
Molded vermiculite  
Self-cleaning window  
Cold handle  
5 year warranty

**Can be purchased:**  
Customized floorplate out of 6 mm glass  
Fresh air inlet ø 100 mm.



---

Find all models here:  
**JYDEPEJSEN.COM**



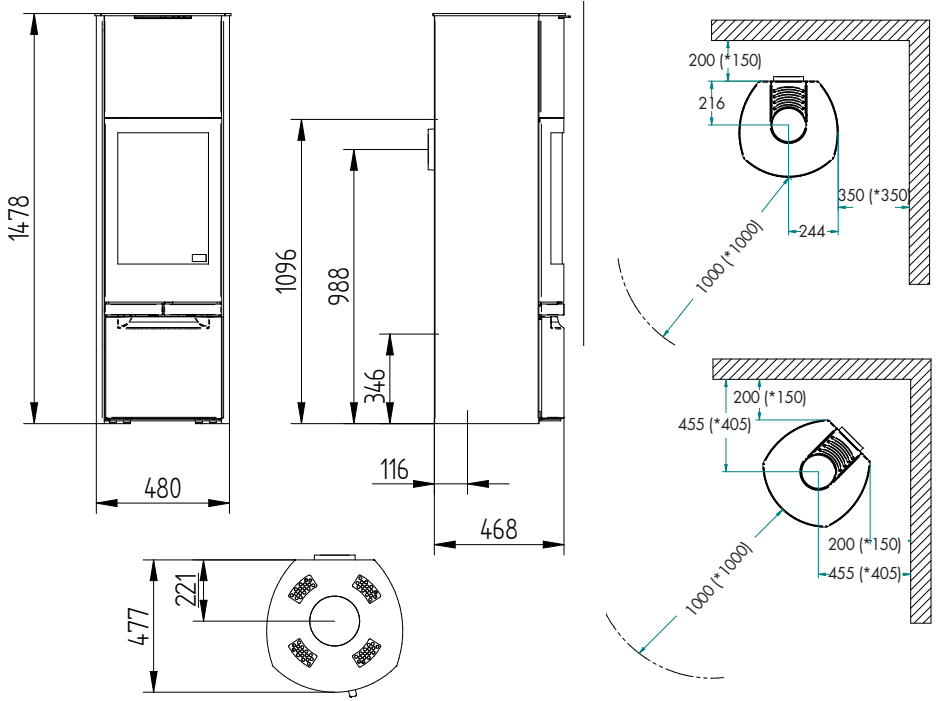
**TECHNICAL DATA COSMO 1500:**

Heats approx. ....>120 m<sup>2</sup>  
 Effect ..... 3-8 kW  
 Efficiency.....80%  
 Dust emission mg/Nm<sup>3</sup>..... 6 mg.  
 Smoke extraction ..... ø150 mm  
 Chimney connection ..... Top/back  
 Weight ..... 172 kg  
 Colour ..... Black/grey  
 Combustion chamber dimensions  
 (H x W x D)..... 415 x 365 x 325

CE approved  
 Defra approved



\*\* The numbers in parentheses show the distance to combustibles, when fitted with insulated flue.



# COSMO 1500

## SOAPSTONE

### COSMO SERIES

---

Cleanest combustion  
High efficiency  
Strong convection  
Timeless design

DuplicAir® for simpel and easy  
air control  
Cast iron door  
Self-closing door  
Cast iron wood compartment door  
Cast iron bottom  
Molded vermiculite  
Self-cleaning window  
Cold handle  
5 year warranty

**Can be purchased:**

Customized floorplate out of 6 mm glass  
Fresh air inlet ø 100 mm.  
Accumulation stone (54kg)



---

Find all models here:  
**JYDEPEJSEN.COM**



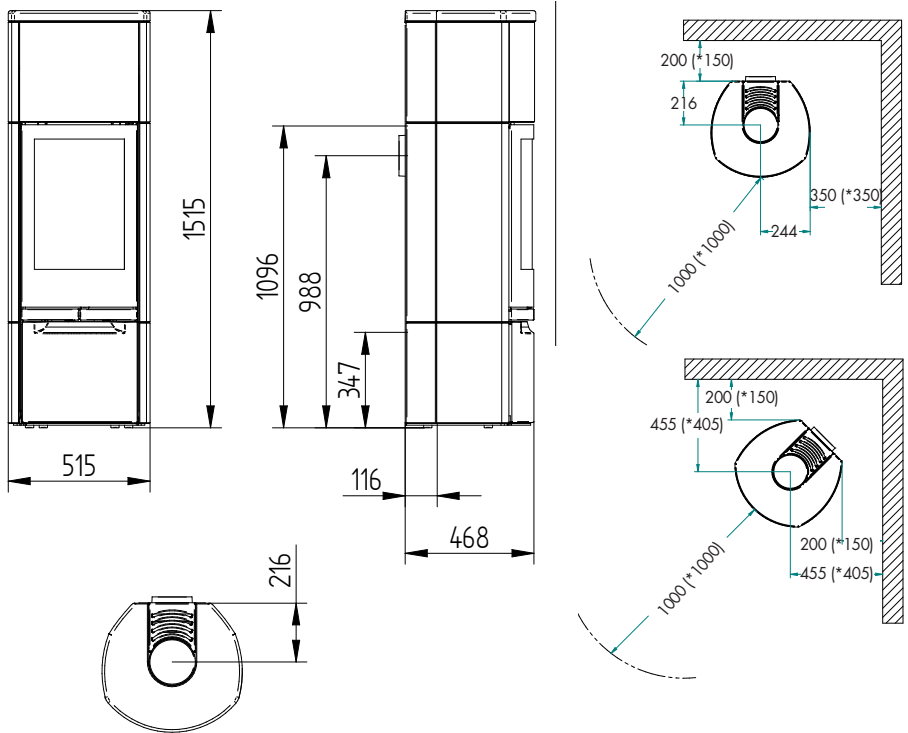
### TECHNICAL DATA COSMO 1500 SOAPSTONE:

Heats approx. ....>120 m<sup>2</sup>  
Effect ..... 3-8 kW  
Efficiency.....80%  
Dust emission mg/Nm<sup>3</sup>..... 6 mg.  
Smoke extraction ..... ø150 mm  
Chimney connection ..... Top/back  
Weight ..... 302 kg  
Colour ..... Black/grey  
Combustion chamber dimensions  
(H x W x D)..... 415 x 365 x 325

CE approved  
Defra approved



\*\* The numbers in parentheses show the distance to combustibles, when fitted with insulated flue.





# COSMO BASE

## COSMO SERIES

---

Cleanest combustion  
High efficiency  
Strong convection  
Timeless design

DuplicAir® for simpel and easy  
air control  
Cast iron door  
Self-closing door  
Cast iron bottom  
Cast iron top  
Molded vermiculite  
Self-cleaning window  
Cold handle  
5 year warranty

**Can be purchased:**  
Fresh air inlet ø 100 mm.



---

Find all models here:  
**JYDEPEJSEN.COM**

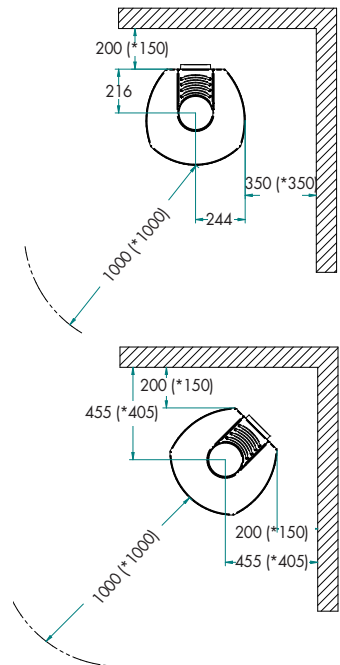
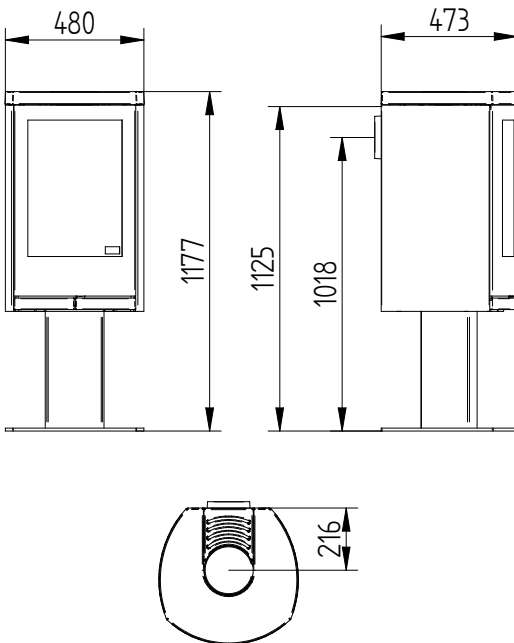
**TECHNICAL DATA COSMO BASE:**

Heats approx. ....>120 m<sup>2</sup>  
 Effect ..... 3-8 kW  
 Efficiency.....80%  
 Dust emission mg/Nm<sup>3</sup>..... 6 mg.  
 Smoke extraction ..... ø150 mm  
 Chimney connection ..... Top/back  
 Weight .....143 kg  
 Colour ..... Black/grey  
 Combustion chamber dimensions  
 (H x W x D)..... 415 x 365 x 325

CE approved  
 Defra approved



\*\* The numbers in parentheses show the distance to combustibles, when fitted with insulated flue.



# COSMO CLASSIC

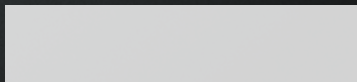
## COSMO SERIES

---

Cleanest combustion  
High efficiency  
Strong convection  
Timeless design

DuplicAir® for simpel and easy  
air control  
Cast iron door  
Self-closing door  
Cast iron bottom  
Cast iron top  
Molded vermiculite  
Self-cleaning window  
Cold handle  
5 year warranty

**Can be purchased:**  
Fresh air inlet ø 100 mm.



---

Find all models here:  
**JYDEPEJSEN.COM**



**TECHNICAL DATA COSMO CLASSIC:**

Heats approx. ....>120 m<sup>2</sup>  
 Effect.....3-8 kW  
 Efficiency.....80%  
 Dust emission mg/Nm<sup>3</sup>..... 6 mg.  
 Smoke extraction ..... ø150 mm  
 Chimney connection ..... Top/back  
 Weight .....377 kg  
 Colour ..... Black/grey  
 Combustion chamber dimensions  
 (H x W x D)..... 415 x 365 x 325

CE approved  
 Defra approved



\*\* The numbers in parentheses show the distance to combustibles, when fitted with insulated flue.

